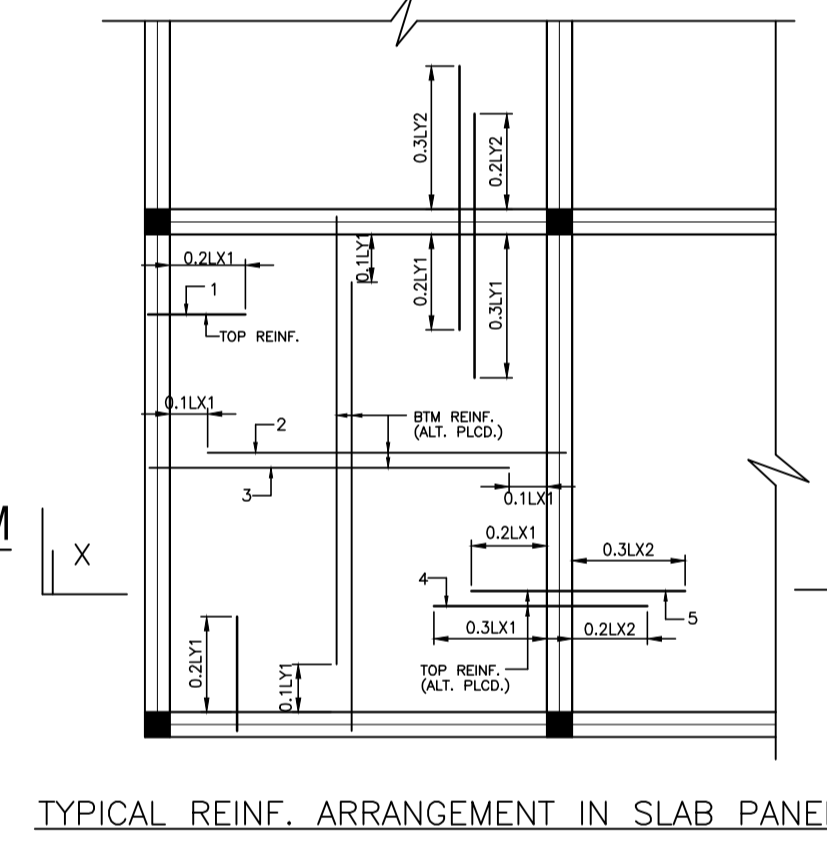
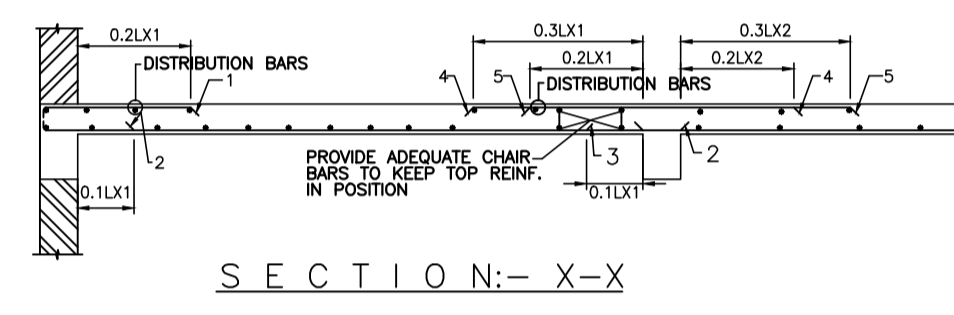
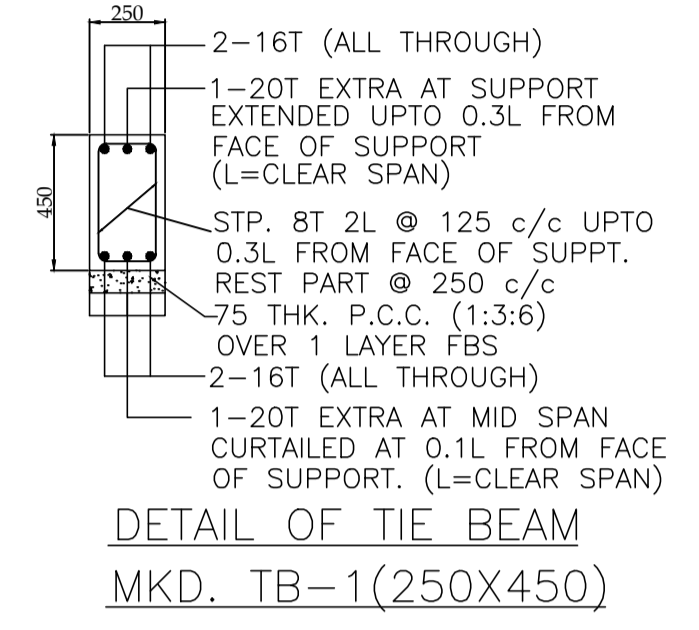
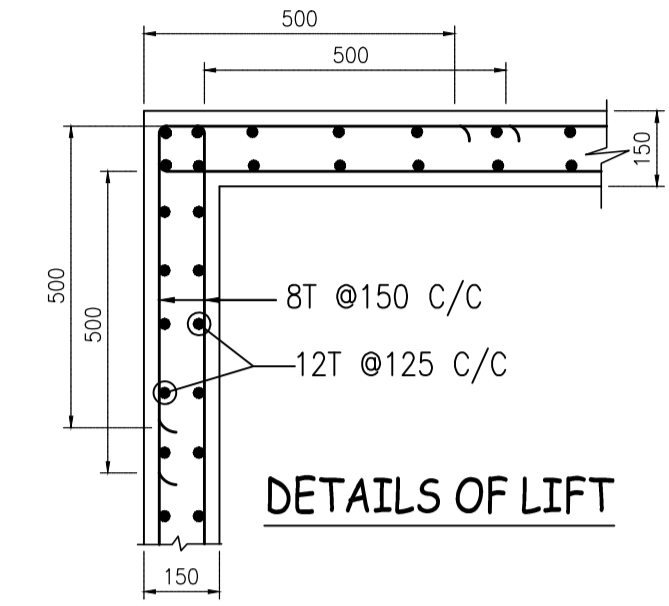
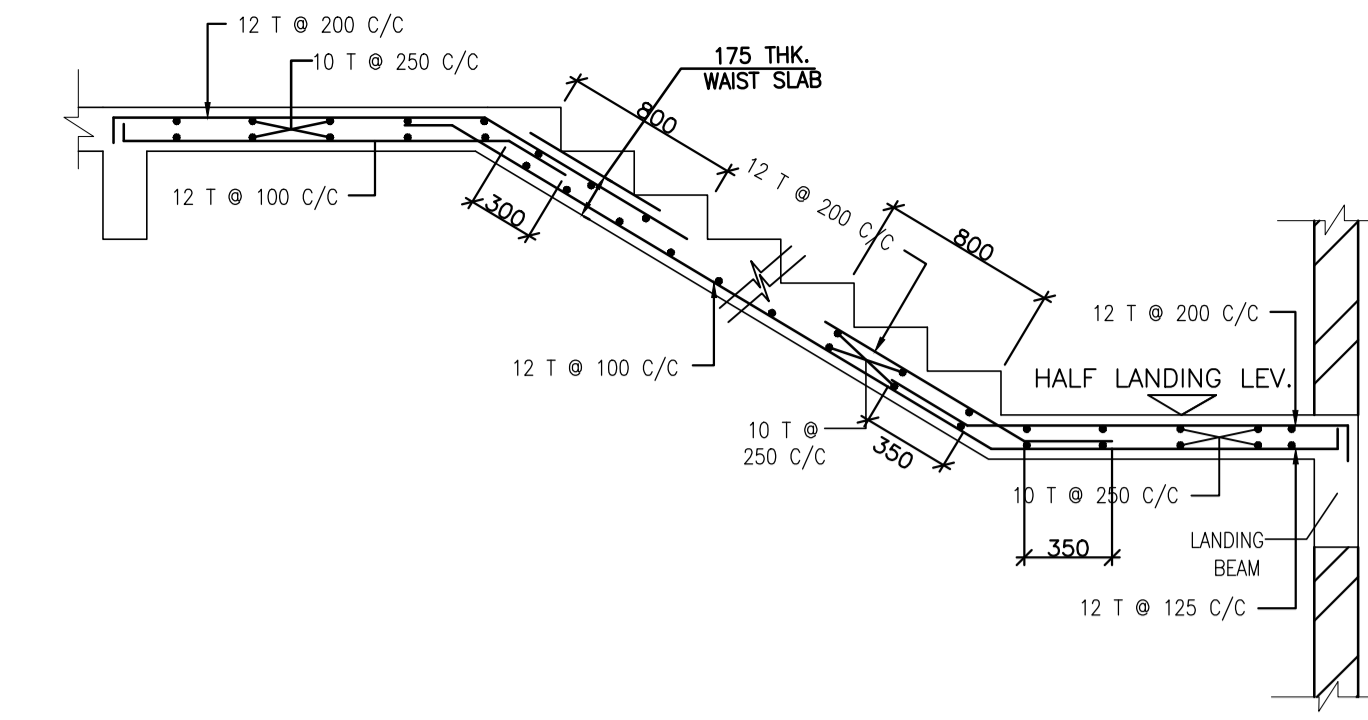
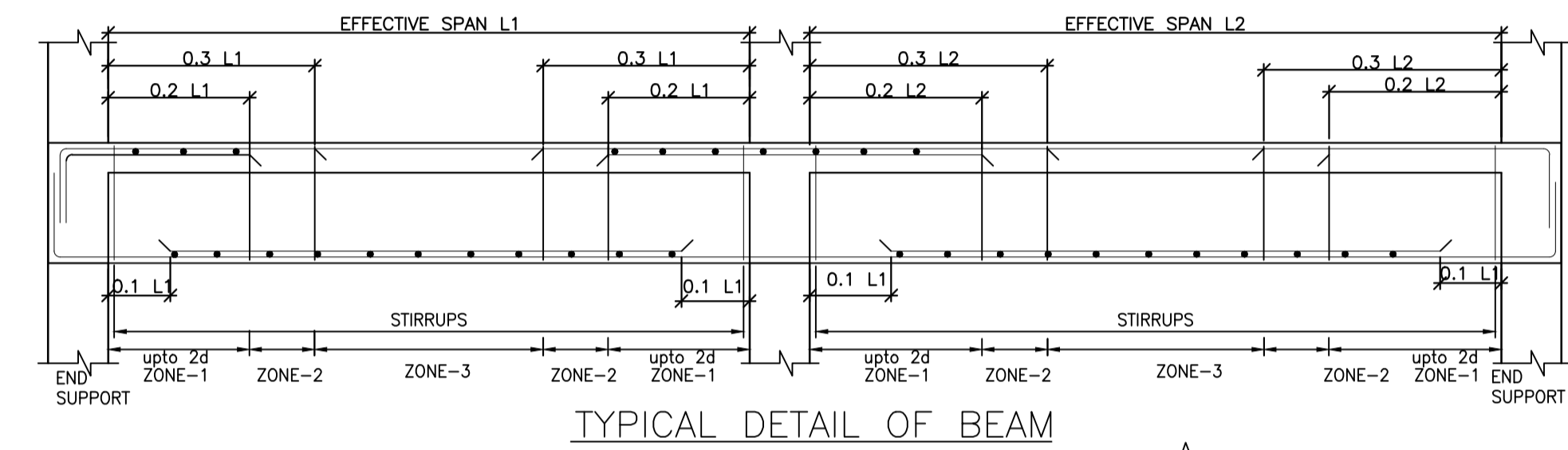


COLUMN SCHEDULE GRADE OF CONCRETE - M25		
2nd FLOOR TO ROOF LVL.	10-16 TOR	10-16 TOR
FOUNDATION TO 2nd FLOOR	10-16 TOR	4-20+6-16 TOR
LINKS DETAILS		
C/S OF COLUMN		
COL. SIZE	250X450	250X450
LINK	8T @ 75 C/C UP TO 750 FROM BEAM SOFFIT & SLAB TOP & REST PORTION 8T @ 150 C/C	
COL MARKED	C1,C2,C3,C4,C6,C7,C11,C12,C14,C15,C18,C19.	C5,C8,C9,C10,C13,C16,C17

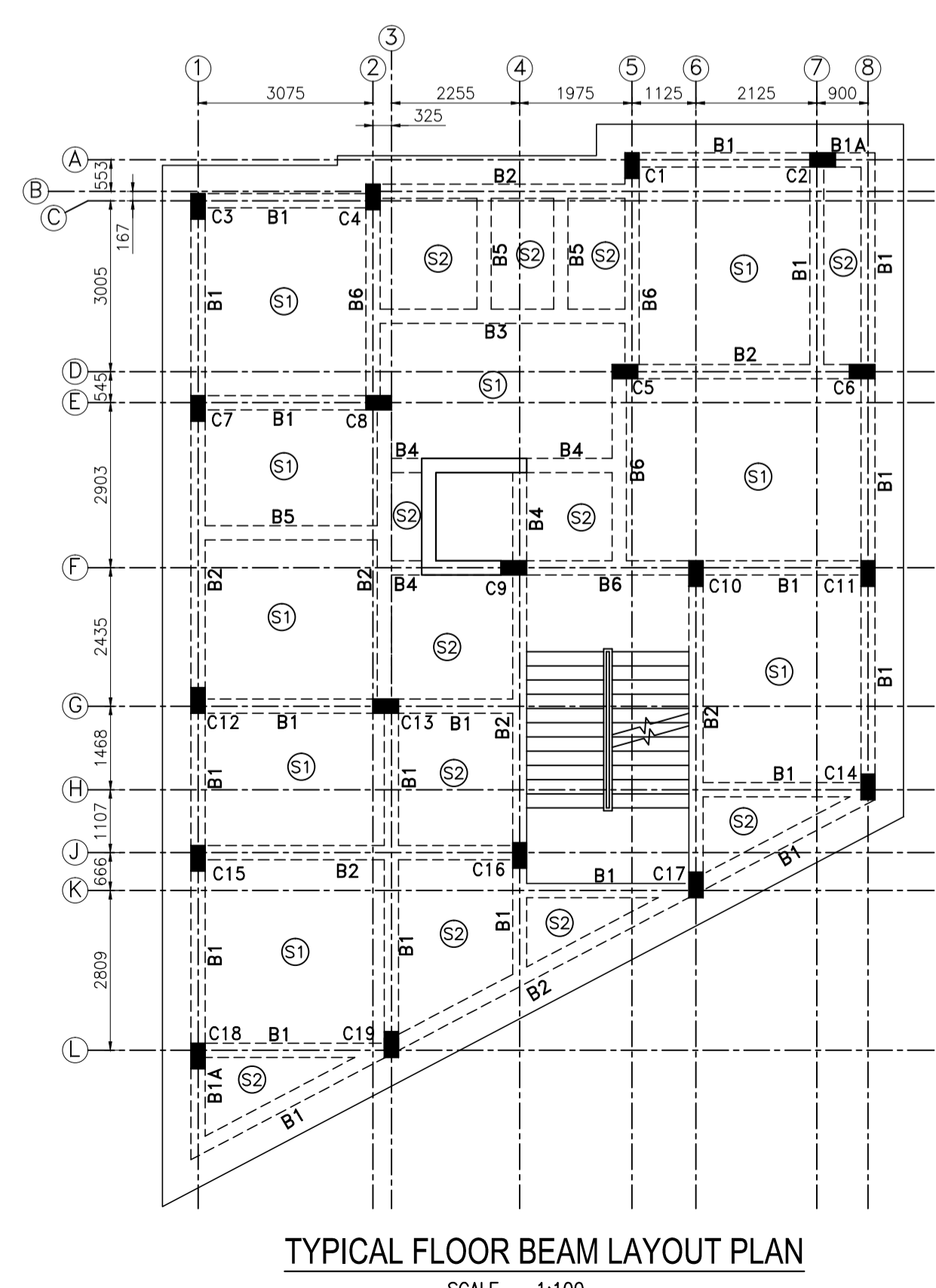
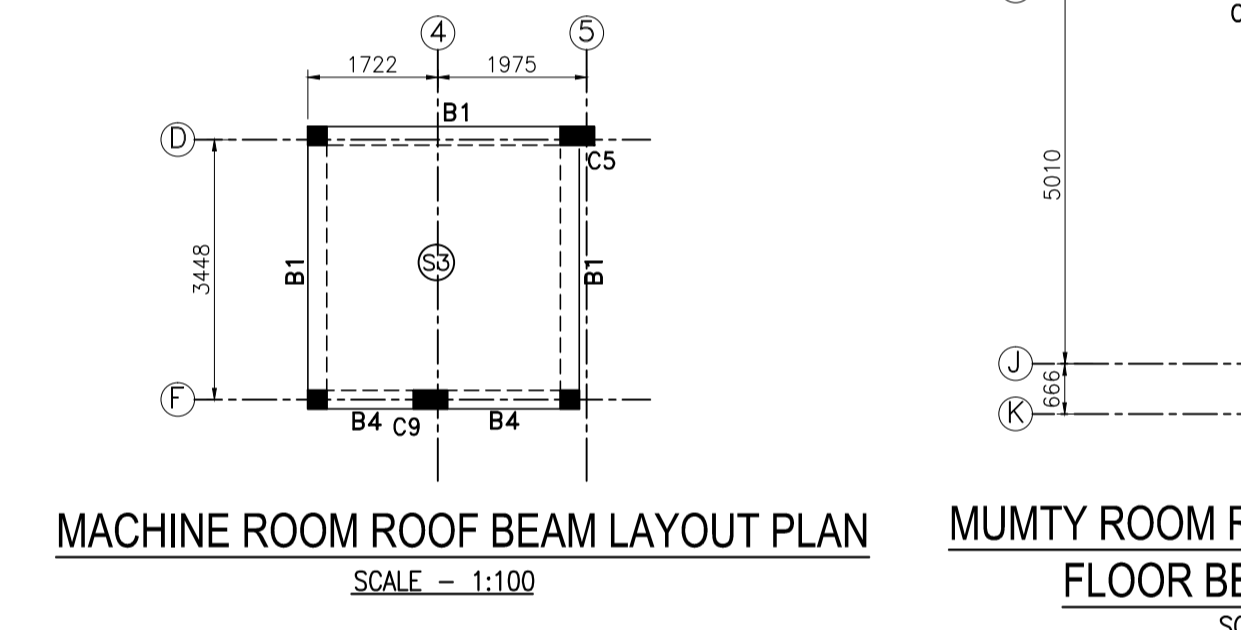
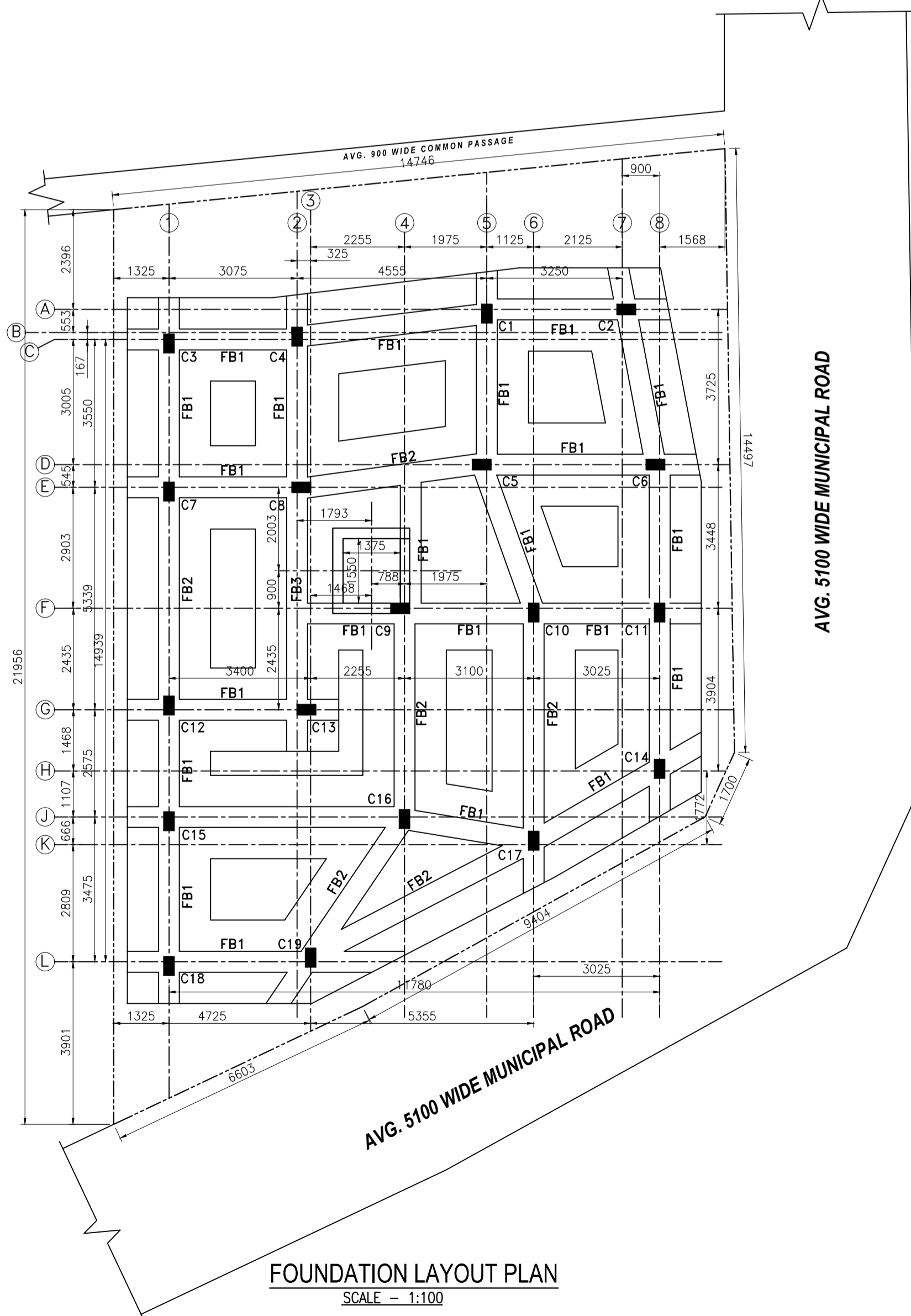
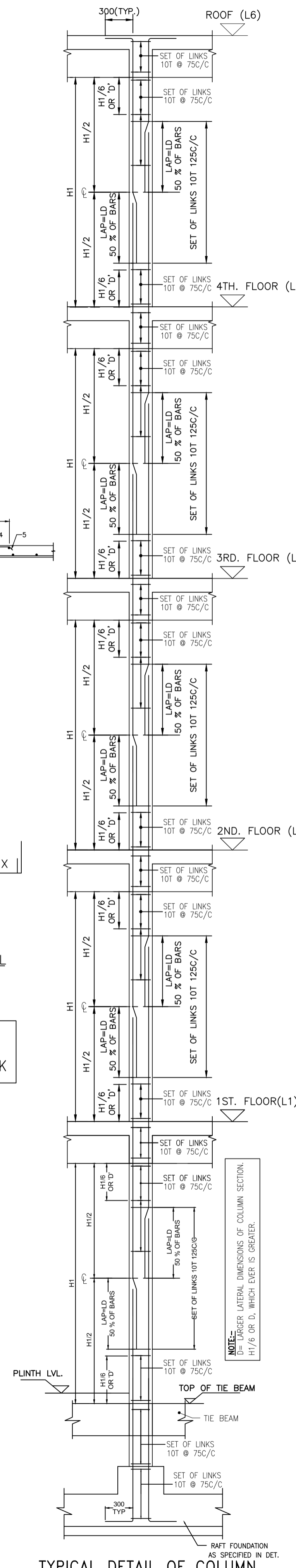
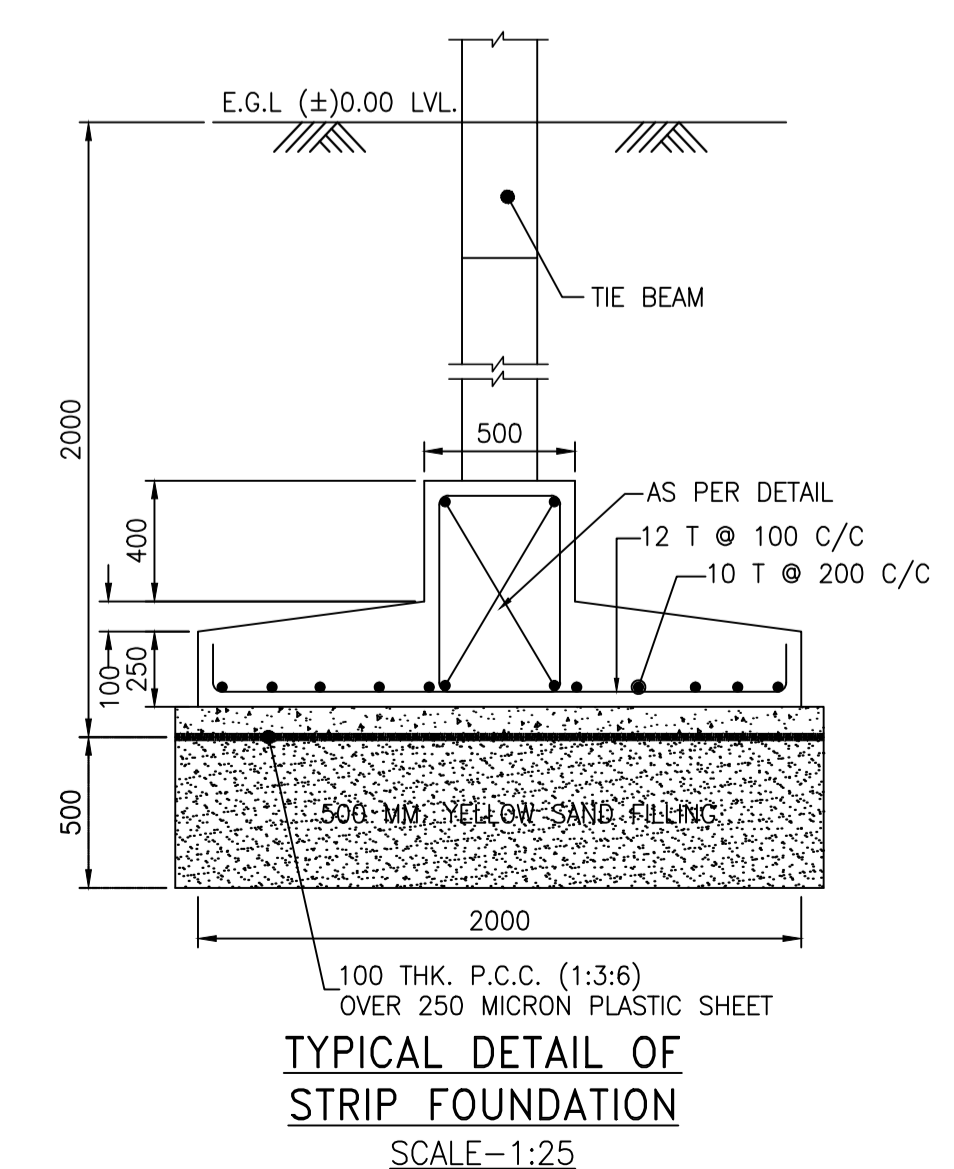
BEAM SCHEDULE GRADE OF CONCRETE - M25								
BEAM MKD.	BEAM SIZE		REINFT. AT SUPPT.		REINFT. AT SPAN		STIRRUPS	
	WIDE	DEPTH	TOP	BOTTOM	TOP	BOTTOM	SUPPORT	SPAN
B1	250	500	4-16 T	2-16 T	2-16 T	3-16 T	8 T @ 75 C/C	8 T @ 150 C/C
B2	250	500	3-16 T 3-20 T	3-16 T	3-16 T	3-16 T 3-20 T	8 T @ 75 C/C	8 T @ 150 C/C
B3	250	500	3-16 T	3-16 T	3-16 T	6-16 T	8 T @ 75 C/C	8 T @ 150 C/C
B4	250	500	2-16 T	2-16 T	2-16 T	2-16 T	8 T @ 150 C/C	8 T @ 150 C/C
B5	250	500	2-16 T	2-16 T	2-16 T	3-16 T	8 T @ 150 C/C	8 T @ 150 C/C
B6	250	500	4-16 T	2-16 T	2-16 T	4-16 T	8 T @ 75 C/C	8 T @ 150 C/C
B1A	250	500	4-16 T	2-16 T	4-16 T	2-16 T	8 T @ 75 C/C	8 T @ 75 C/C

FOUNDATION BEAM SCHEDULE GRADE OF CONCRETE - M25								
BEAM MKD.	BEAM SIZE		REINFT. AT SUPPT.		REINFT. AT SPAN		STIRRUPS	
	WIDE	DEPTH	TOP	BOTTOM	TOP	BOTTOM	SUPPORT	SPAN
FB1	500	750	5-20 T	5-20 T	5-20 T	5-20 T	4L 10 T @ 100 C/C	4L 10 T @ 200 C/C
FB2	500	750	6-20 T	6-20 T	6-20 T	6-20 T	4L 10 T @ 100 C/C	4L 10 T @ 200 C/C
FB3	500	750	6-20 T	6-20 T	6-20 T	6-20 T	4L 10 T @ 100 C/C	4L 10 T @ 200 C/C

SCHEDULE OF FLOOR AND ROOF SLAB			
PANEL MKD.	REINFORCEMENT IN SHORTER DIRECTION	REINFORCEMENT IN LONGER DIRECTION	
S1(150 TK.)	8 TOR @ 125 C/C(Top) 8 TOR @ 150 C/C(Bott.)	8 TOR @ 150 C/C(Top) 8 TOR @ 175 C/C(Bott.)	
S2(125 TK.)	8 TOR @ 150 C/C(Top) 8 TOR @ 175 C/C(Bott.)	8 TOR @ 175 C/C(Top) 8 TOR @ 200 C/C(Bott.)	
S3(150 TK.)	8 TOR @ 125 C/C(Top) 8 TOR @ 125 C/C(Bott.)	8 TOR @ 125 C/C(Top) 8 TOR @ 125 C/C(Bott.)	



NOTE :- THIS BUILDING DESIGNED CONSIDERING LIGHT WEIGHT BLOCK



NOTES AND SPECIFICATION

- ALL DIMENSIONS ARE IN MM. UNLESS OTHERWISE MENTIONED.
- ANY AMBIGUITY IN THE DRAWINGS SHOULD BE IMMEDIATELY BROUGHT TO THE NOTICE OF THE CONSULTANT BEFORE COMMENCING.
- SUPER STRUCTURE : SUPER STRUCTURE SHALL BE OF 1ST CLASS BRICK IN 1:6 CEMENT MORTAR.
- THIS DRAWING IS TO BE READ ALONG WITH ALL RELEVANT ARCHITECTURAL DRAWINGS.
- ALL GRADE OF CONCRETE M25 UNTILL & UNLESS MENTIONED.
- ALL MATERIALS SHALL CONFORM TO RELEVANT I.S. CODES.
- FOR STEEL GRADE Fe 500 AS PER I.S. 1979-2007.
- ALL DISTRIBUTION BARS ARE 8T @ 250 C/C AND TO BE PROVIDED.
- ALL CHAIRS ARE 10T AND TO BE PROVIDED WHEREVER REQUIRED.
- ALL SPACER BARS ARE 25T @ 300 C/C AND TO BE PROVIDED.
- LAPS, SPLICES & BOND LENGTH SHOULD BE 50 D WHERE 'D' IS DIA OF BAR.
- FOUNDATION & PLINTH : BRICKWORK IN FOUNDATION & PLINTH SHALL BE OF 1ST CLASS BRICK IN 1:6 CEMENT MORTAR.
- MINIMUM CLEAR COVER TO MAIN REINFORCEMENT IS AS FOLLOWS:

MEMBER	TOP	BOTTOM	SIDE
a. FOUNDATION BEAM & SLAB	50	50	50
b. COLUMN	40	40	40
c. FLOOR BEAM.	30	30	30
d. TIE BEAM.	30	30	30
e. FLOOR SLAB.	20	20	20

Signature of Engineer Goutam Nandi, M. Tech (Str.)
Consulting Civil Engineer
+91 9433510304, 9330574542

SIGNATURE OF THE OWNER

SIGNATURE OF DEVELOPER
DEVELOPMENT POWER OF ATTORNEY TO CONSTITUTE
"M/S BIBARSAN CONTRACTOR & CONSTRUCTION"
PROPRIETOR SUBHANKAR BASU

PROJECT:
STRUCTURAL PLAN FOR PROPOSED FOUR STORIED (G+III) RESIDENTIAL BUILDING OF (1) SRI AMITAVA KUNDU & (2) SRI ABHIJIT KUNDU, S/O LATE HARIPADA KUNDU, DEVELOPMENT POWER OF ATTORNEY TO CONSTITUTE TO "M/S BIBARSAN CONTRACTOR & CONSTRUCTION", PROPRIETOR SRI SUBHANKAR BASU, S/O KALYAN KUMAR BASU, MOUZA + P.S.- CHANDANNAGAR, J.L. NO.- 1, SHEET NO.- 18, R.S. KHATIAN NO.- 121, R.S. DAG NO.- 274, L.R. KHATIAN NO.- 2205 & 2204, L.R. DAG NO.- 340, BOROUGH NO.- III, WARD NO.- 15, HOLDING NO.- 1115 (NEW), 961 (OLD), AT BARA PUKURDHAR (EAST), UNDER CHANDERNAGORE MUNICIPAL CORPORATION, DIST - HOOGHLY.

DRAWING TITLE:- FOUNDATION LAYOUT,COLUMN,BEAM,SLAB SCHEDULE,TIE BEAM DETAIL,STAIR DETAIL,TYP. SECTION OF FOUNDATION

SCALE	1:100	REVISION	
DATE			
DRAWN	imran		
CHKD.	GN		

